

FIXED DECK MONITOR

Fixed deck monitors provide a versatile fire fighting capability for many industrial and petrochemical scenarios such as; Process plant storage tank farms, loading bays, marine wharves and jetties, offshore platforms and helidecks etc.



PRODUCT DETAILS

The Knowsley range is of robust design, manufactured from corrosion resistant materials and can be locked in position enabling unattended operation and reduced risk to the fire fighter.

We know fire. We know safety. We know you.

Established in 1896, Knowsley SK Ltd. has an enviable reputation for manufacturing quality fire fighting equipment and systems for high value asset protection that can be relied upon when danger strikes.

Knowsley SK Ltd
Centrepoint
Marshall Stevens Way
Trafford Park
Manchester M17 1AE | UK
t +44 (0)161 872 7511
f +44 (0)161 848 8508

sales@knowsleysk.co.uk
spares@knowsleysk.co.uk

www.knowsleysk.com

Registered in England No. 1789152
VAT No.: 383475131

KEY FEATURES

- Single waterway
- Undivided water stream
- Low pressure loss
- Easy operation
- Lockable in horizontal and vertical position
- Unattended operation
- Robust construction
- Corrosion resistant materials
- Rotation - full 360 degrees
- Elevation - +90 degrees
- Depression - -90 degrees

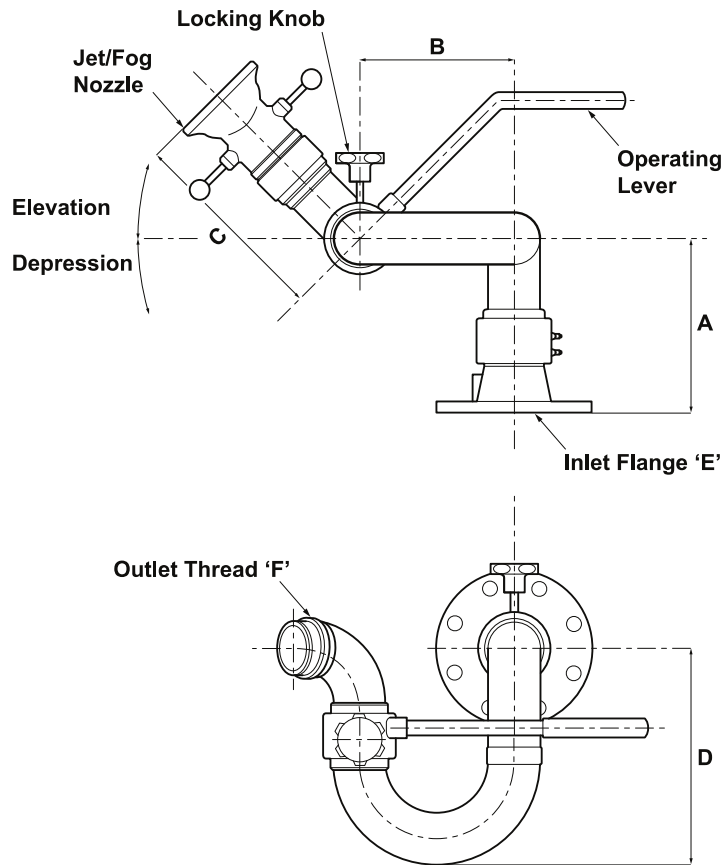


Figure 1 Fixed Deck Monitor

OVERALL DIMENSIONS

Overall dimensions are shown in Table 1. See Figure 1. for corresponding annotations.

Table 1 Overall Dimensions

MODEL No.	SIZE (NB)	A	B	C	D	E	F	WEIGHT Kg.
5146	3"	257	228	300	323	3" OR 4" ANSI 150FF	2½" NSTM	30
5119	4"	263	228	325	338	4" OR 6" ANSI 150FF	4" NSTM	40

PRODUCT DETAILS

The Knowsley fixed deck monitor provides an undivided stream of water with minimum flow restriction over a wide operating pressure range. This ensures impressive performance with high flow rates and low trajectories. The monitor comprises essentially an inlet stand with lower and upper bend assemblies, and a threaded outlet enabling a variety of discharge nozzles to be utilised. Swivel joints have twin bearing races to ensure smooth operation, and twin quadring seals to prevent leaks. The flanged inlet enables locating the monitor on pipe-stands, hydrants, fire trucks, fire remains or towers.

PRODUCT MATERIALS

The Fixed Deck Monitor is manufactured from the following corrosion resistant materials:

- Inlet Stand: Gunmetal CC492K-GS
- Upper and Lower Bend: Gunmetal CC492K-GS
- Operating Lever: Stainless Steel (with plastic hand grip)
- Ball bearings: Stainless Steel
- O Rings: Buna - N
- Grease Nipple: Stainless Steel

STANDARD PAINTING CYCLE

Two coat enamel finish for aesthetic purpose and colour identification
 Red to BS4800 04-E-53 (Other colours available)
 Total 70 Microns DFT (min)

PERFORMANCE DATA

Fixed deck monitor Performance data is shown in Table 2.

ACCESSORIES OVERVIEW

The Knowsley fixed deck monitor can be fitted with a variety of discharge nozzles to suit different applications. These include Jet/Fog nozzles, Foam Branchpipes, self-inducing foam nozzles and constant flow nozzles. Our highly experienced engineers will select a nozzle for your application.



Figure 3 Typical Nozzle

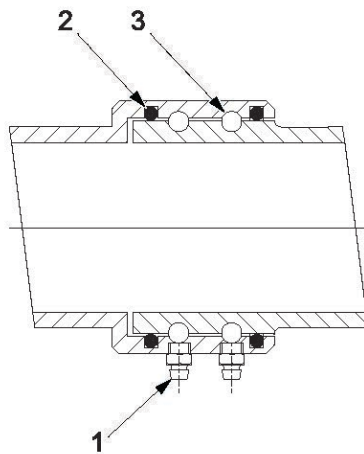


Figure 2 Section showing details of bearings

Spares Information

Please contact our dedicated spares department for components listed below (see Figure 2 for corresponding data):

spares@knowsleysk.com

1. Grease Nipple
2. Quadring Seal
3. Ball bearings
4. Locking Knob

Table 2 Performance Data

Model No.	Max Capacity (LPM)	Operating Pressure Range	Elevation	Depression	Rotation
5146	3300	3.5–16 Bar	90 Degrees	90 Degrees	360 Degrees
5119	6000	3.5–16 Bar	90 Degrees	90 Degrees	360 Degrees

