



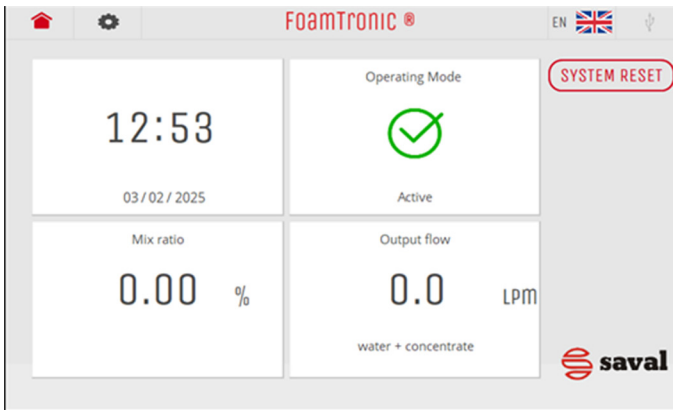
FoamTronic®

ELECTRONIC FOAM MIXING TECHNOLOGY



USER INTERFACE

The FoamTronic® user interface can be viewed by connecting to a service display or computer. This intuitive interface allows the user to view system parameters and diagnostics. All process values, alarms and events are recorded during normal operation and testing of the system. This data is available and can be accessed and downloaded to a flash drive. The system can be set during commissioning using a password protected environment within the program.



FM APPROVAL

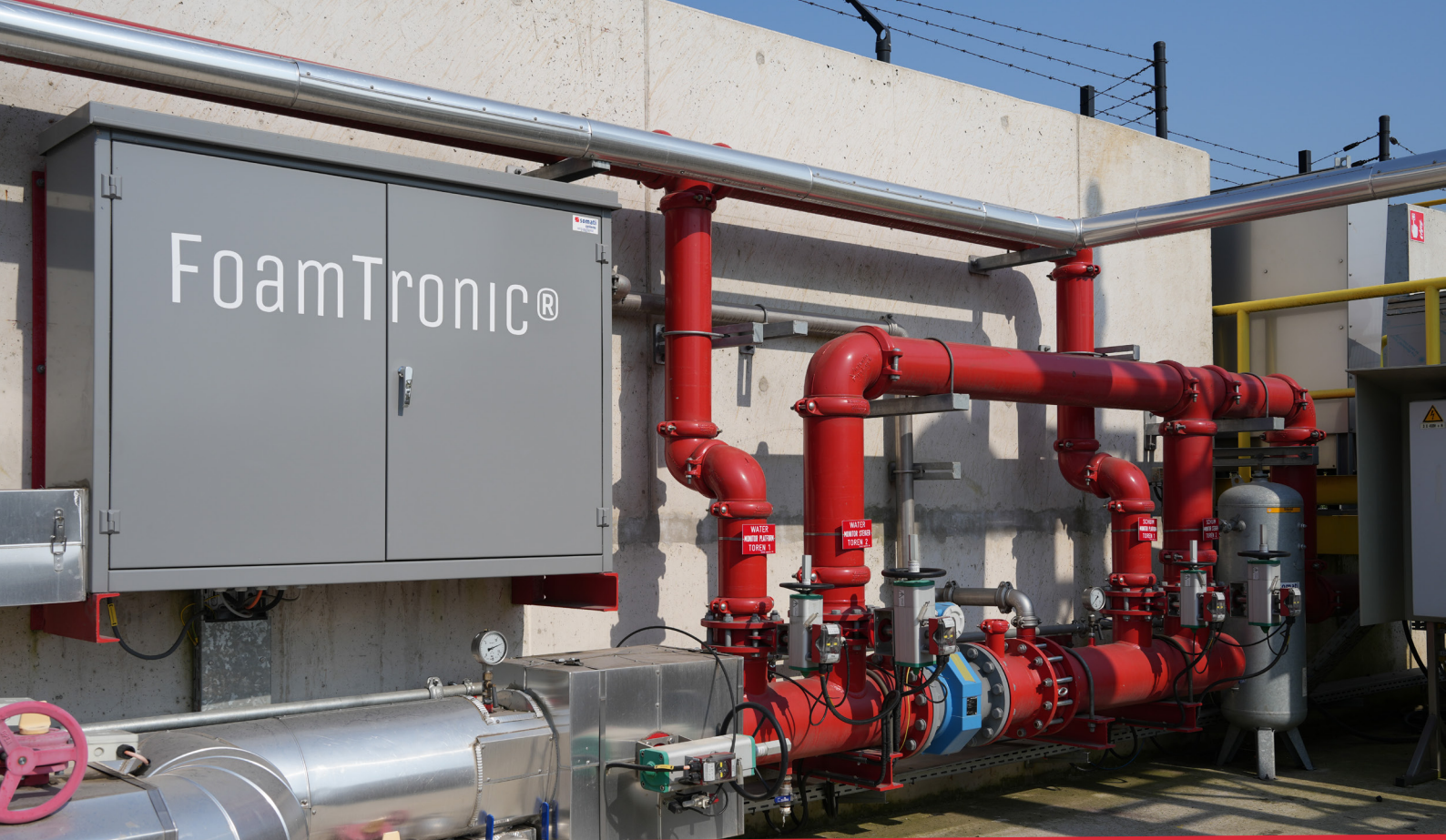
The FM approved FoamTronic® is available for a wide range of flows as shown in the product range table.



PRODUCT RANGE

MIXING RATIO								
SIZE	0,5%		1%		3%		6%	
	Q min (l/min)	Q max (l/min)	Q min (l/min)	Q max (l/min)	Q min (l/min)	Q max (l/min)	Q min (l/min)	Q max (l/min)
DN25	1030	48030	515	24010	175	8000	90	4000
DN40	3315	70000	1660	42450	555	14150	280	7070
DN50	4425	70000	2220	66050	740	22010	370	11000
DN65	6940	70000	3470	70000	1160	40020	580	20010

Flowrates stated are maximum range and subject to confirmation based on foam selection and control valve Cv value.



FoamTronic®

TAKE CONTROL OF YOUR FOAM PROPORTIONING SYSTEMS USING FOAMTRONIC® TECHNOLOGY

+ SMART TECHNOLOGY

+ ENVIRONMENTALLY FRIENDLY

+ HIGH ACCURACY

+ NO PRESSURE LOSS

+ SELF DIAGNOSTICS

TAKE CONTROL OF MIXING RATES

Foam proportioning systems rely on the accuracy of the percentage mixing ratio of foam concentrate to water. With FoamTronic® technology this accuracy can be controlled to finite levels and will automatically adjust to changes in system demand.

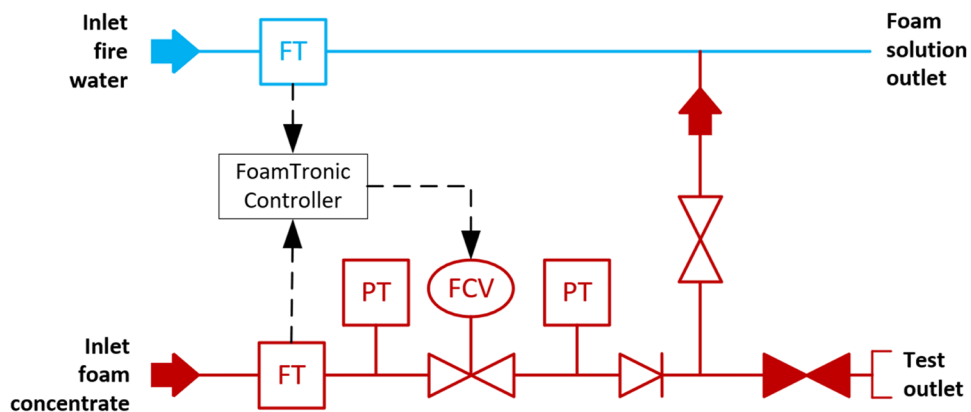
TAKE CONTROL OF TESTING

FoamTronic® allows system performance to be regularly tested without mixing foam and water, thus avoiding environmental concerns and depletions of costly foam stocks.

PRODUCT DESCRIPTION

FoamTronic® is an electronic foam mixing system which very accurately mixes foam concentrate and water based on the actual firewater demand of the system. This is achieved by continuous monitoring of the firewater and foam concentrate flows using electromagnetic flowmeters and real-time adjustment of the concentrate control valve. The accuracy and stability of the system is based on the combination of specially selected components and a unique control system with state-of-the-art logic developed specially for FoamTronic®. The control system records all process values and alarms during operation or test which are available via a user friendly interface.

An advantage of the FoamTronic® system is that there is no pressure loss in the water supply towards the extinguishing systems. The FoamTronic® can be installed close to the foam storage or in remote locations where multiple FoamTronic® systems can be used on site using a centralized foam storage system.



TESTING

ENVIRONMENTALLY FRIENDLY

The FoamTronic® test procedure ensures accurate proportioning is guaranteed every time. During this procedure the injection point to the firewater system is isolated and the foam delivery is diverted through the test outlet fitted with a pressure sustaining valve. Water flow is initiated and the FoamTronic® system starts controlling the mixing ratio. The foam concentrate is collected in a clean IBC or mobile tanker which can be returned to the foam concentrate storage tank after the test. Full operation of the FoamTronic® system is therefore demonstrated without consuming foam concentrate and without creating foam solution. The full testing procedure is economical and environmentally friendly with no clean up required.



MIXING RATIOS

HIGH ACCURACY

Due to the selection of high precision instrumentation and an industrial flow control valve it is possible to obtain a very precise mixing ratio. With FoamTronic® technology this accuracy can be controlled to finite levels and will automatically adjust to changes in the system demand. The FoamTronic® has the possibility to create two different mixing ratios depending on the activation command coming into the system. The required mixing ratios can be set using the touch screen user interface.

FOAMTRONIC® CABINET

The FoamTronic® is designed to be installed in the harshest environments. The cabinet is manufactured from stainless steel and powder coated to ensure maximum corrosion protection.

The complete assembly is pre-assembled using high quality components and is fully tested in the factory.

Options such as cabinet heating and insulation are available.



DIAGNOSTICS

To guarantee reliability every component of the FoamTronic® has continuous signal monitoring and performance self-diagnostics. In addition the FoamTronic® flow control valve is tested automatically on a daily basis and the performance of the check valve in the foam concentrate supply line is monitored for leak free operation. The complete system operates on 24VDC.



Centrepoint
Marshall Stevens Way
Trafford Park
Manchester M17 1AE
United Kingdom

+44 (0) 161 872 7511
sales@knowsleysk.co.uk
www.knowsleysk.co.uk



Huifakkerstraat 22
4814 PE Breda
The Netherlands

+31 (0) 76 548 70 00
foamtronic@skfiresafetygroup.com
www.savall.nl

Due to continual product developments and improvements, we reserve the right to change or modify the published performance characteristics without notice.